



**CADILLAC REFORMER
INSTALLATION AND USER GUIDE**



**CADILLAC REFORMER
INSTALLATION AND USER GUIDE**

1.	SAFETY INSTRUCTIONS	-----3
2.	GENERAL FEATURES	-----4
	2.1. Dimensions	4
	2.2. Accessories	4
	2.3. Components Diagram	5
3.	INSTALLATION	-----6
	3.1. Components List	6
	3.2. Instruments Required For Installation	10
	3.3. Installation Instructions	11
	3.4. Installation Instructions of Accessories	17
	3.4.1. Installation Instruction of the Wooden Bar	17
	3.4.2. Installation Instruction of the Handles	17
	3.4.3. Installation Instruction of the Jump Board	17
4.	MAINTENANCE INSTRUCTIONS	-----19



CADILLAC REFORMER INSTALLATION AND USER GUIDE

1. SAFETY INSTRUCTIONS

If you do not use **ATRO CADILLAC REFORMER** properly; you can hurt yourself and you may cause injury or an accident. To reduce such risks, we recommend that you read the entire booklet before using the device.

Do not modify **ATRO CADILLAC REFORMER** and do not use other than those written. Otherwise, damage to the instrument will not be covered by the Warranty.

- Before starting the workout on **ATRO CADILLAC REFORMER** read all instructions which are in the user guide.
- Before starting the workout on **ATRO CADILLAC REFORMER** see a doctor and make a health check up.
- Use **ATRO CADILLAC REFORMER** with under the supervision of a professional trainer and only for the exercises the trainer has determined
- Adjust the system to your level before starting the training program and do not stand on the **ATRO CADILLAC REFORMER** when adjusting.
- If you feel any chest pain, fatigue, shortness of breath or fatigue in your muscles during exercises, stop exercising.
- Keep your body, clothes and hair away from moving parts of **ATRO CADILLAC REFORMER**.
- If any part of **ATRO CADILLAC REFORMER** has damaged or broken do not use the device.
- Do not attempt to repair the **ATRO CADILLAC REFORMER** on your own.
- Children should not use **ATRO CADILLAC REFORMER** without adult supervision.
- Make sure that the Foot Bar is tight, that the tap adjuster fits into the slots and does not move.
- After adjusting the gear bar, slide the safety lock and tighten the screws and ensure that the bar does not move upwards.
- Make sure the hooks of the foot belt are locked.
- Make sure the Push Through Bar shafts are fully seated in their slots. Do not leave the spring attached to it after use.
- When exercising with accessories attached to the upper springs in the tower, do not quickly release the accessories attached to the tensioned springs. If you release the spring quickly, it may cause the spring to strike and cause serious injury.
- Make sure the shoulder rests are set and the pins of the shoulder rests are tightened.
- Check all springs regularly and replace if springs are damaged.
- Make sure all pins are undamaged and tight.

2. GENERAL FEATURES

- **ATRO CADILLAC REFORMER** will be delivered to you in a parcel. Installation is done by the user with the help of the installation video sent by **ATRO PILATES**.
- Standard and preferred working height for **ATRO CADILLAC REFORMER** is 200 cm.
- **ATRO CADILLAC REFORMER** has 4 adjustment stages and consists of 5 springs with different hardness. It is suitable for all sizes with adjustable ropes.

TABLE OF SPRINGS

BLACK	VERY HARD
RED	HARD
GREEN	MEDIUM
BLUE	LIGHT
YELLOW	VERY LIGHT

2.1. Dimensions

METAL CASE : 69 cm (width) x 240 cm (length) x 35cm (height)
(distance from the floor to the top of the case)

TOWER : 79 cm (width) x 190 cm (length)

CARRIER MAIN BOARD : 62 cm (width) x 100 cm (length)

HEADREST : 17 cm (width) x 22 cm (length)

SHOULDER RESTS : 8 cm (width) x 8 cm (length) x 18 cm (length)

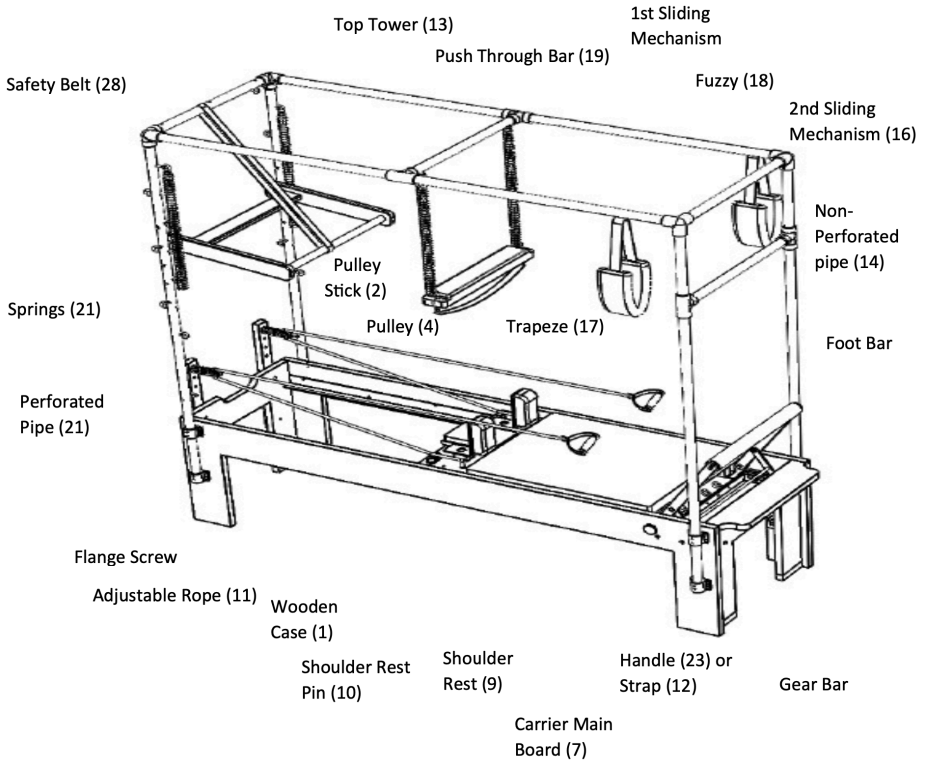
TRAPEZE : 72 cm (width) x 259 cm (length) x 161 cm (length)

2.2. Accessories

- Box
- Wooden Bar
- Handles
- Jump Board
- Trapeze
- Fuzzy

2.3. Components Diagram

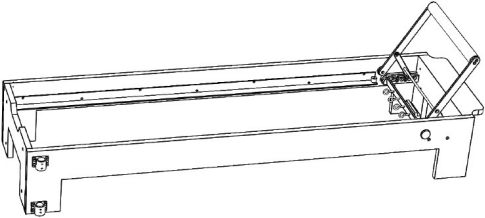
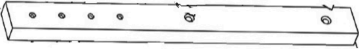




2.3) Components Diagram

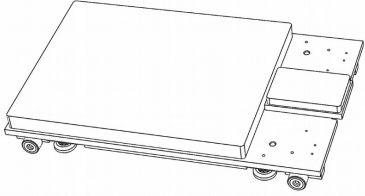

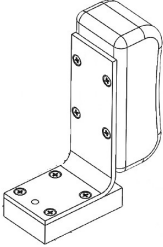
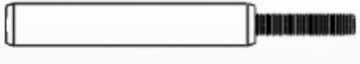

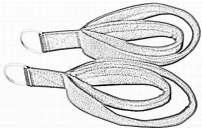


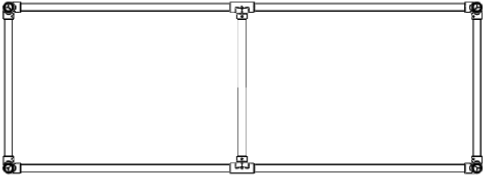



3. INSTALLATION

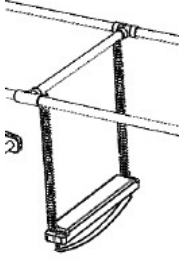

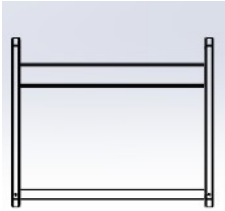
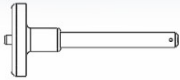

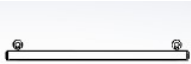
3.1. Components List

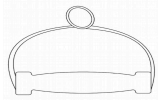
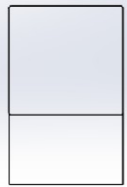

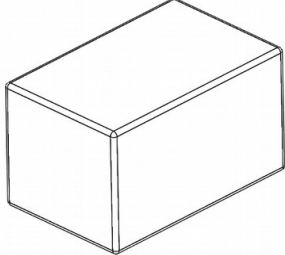


The following parts are the main parts of **ATRO CADILLAC REFORMER**:

No	Component Name	Qntty	Picture
1	Wooden Case	1	
2	Pulley Stick	2	
3	Pulley Stick Screw	4	
4	Pulley	2	
5	Pulley Screw	2	
6	Pulley Lamella	2	

7	Carrier Main Board	1	
8	Closing Board	1	
9	Shoulder Rest	2	
10	Shoulder Rest Pin	2	
11	Adjustable Rope	2	
12	Straps	2	

13	Top Tower	1	
14	Non-Perforated Pipe	2	
15	Perforated Pipe	2	
16	Second Sliding Mechanism	1	

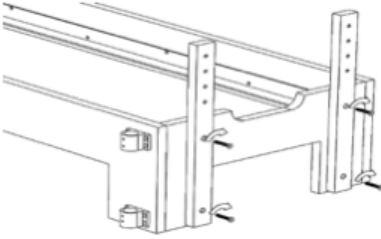
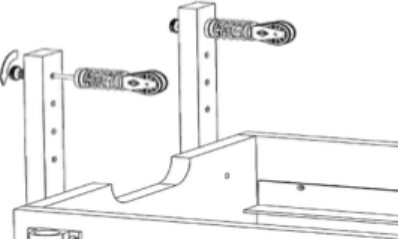
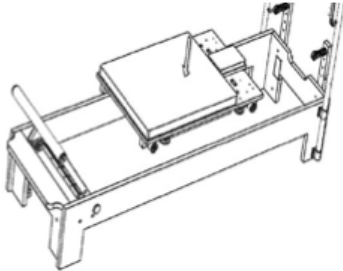
17	Trapeze	1	
18	Fuzzy	2	
19	Push Through Bar	1	
20	Push Through Bar Pin	2	
21	Springs	4 Yellow, 4 Blue, 2 Green 2 Red 2 Metal	
22	Wooden Bar	1	

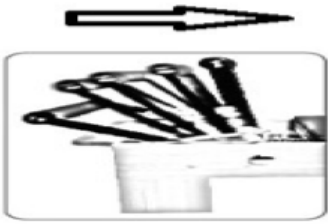
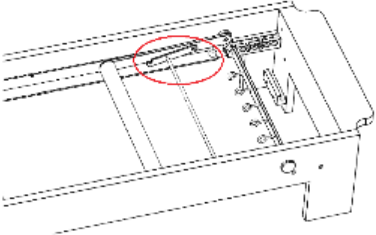
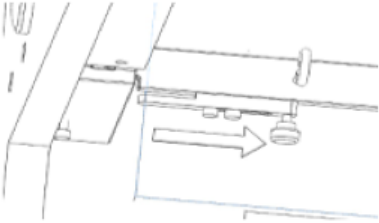
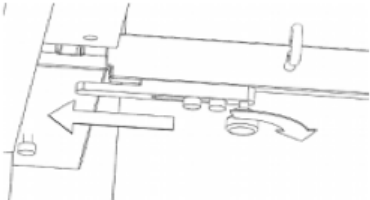
23	Handles	2	
24	Jump Board	1	
25	Jump Board Screw	2	
26	Box	1	
27	Foot Belt	1	
28	Safety Belt	1	

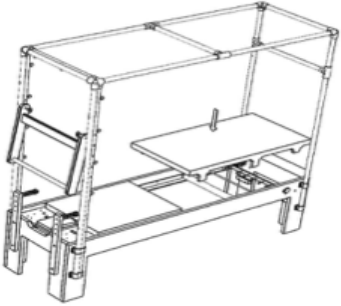
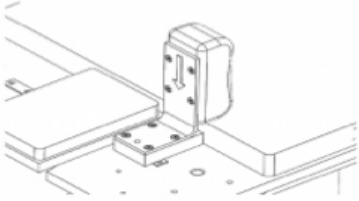
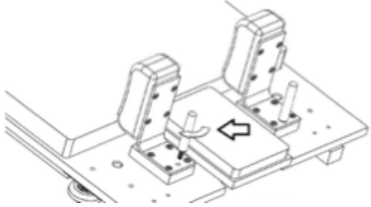
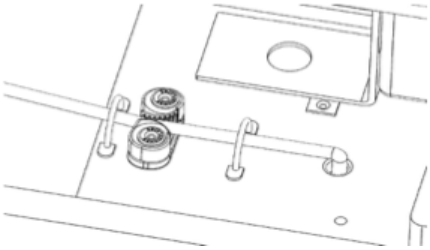
3.2. Instruments Required For Installation

- Allan (4)
- Allan (5)
- Allan (7)

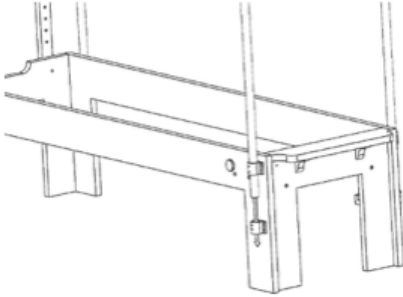
3.3. Installation Instructions

	<p>On the head side of the wooden case (1), there are 2 screw holes both on the right and on the left, for the installation of pulley sticks (2). Screw the pulley sticks with the help of the allen (5) as shown. Make sure that the pulley sticks do not move.</p>
	<p>Remove the pulley lamellas (6) and pulley screws (5) from the pulleys (4). There are 4 holes in each of the pulley sticks. The pulley pins should face out of the case as shown and the pulleys should be placed 90 degrees perpendicular to the case. Insert the lamellas that remove from the pulleys into the pin and tighten the screw by hand as shown. Make sure that the pulleys do not move.</p>
	<p>Place the carrier main board (7) that have the carriage wheel and spring assembly underneath on the wooden case. The head rest must be on the side of the pulleys. Make sure that the carrier wheel assembly is fully seated on the metal part inside the wooden case.</p>

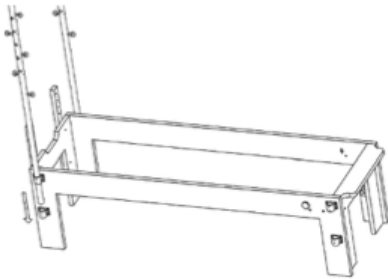
	<p>Move the positionable footbar on the underside of the wooden case as shown in the figure and close it into the case.</p>
	<p>After closing the footbar into the case as shown in the figure, close the tap adjuster in.</p>
	<p>Insert the length stoppers into the hole closest to the gear bar.</p>
	<p>Close the gear bar bolt as shown.</p>

	<p>Place the closing board (8) in the wooden case. The handle of the closing board must be on the foot side.</p>
	<p>Fit the shoulder rests (9) into the pin slots on the side of the head rest and slide them.</p>
	<p>Tighten the shoulder rest pins (10) by hand. Make sure that the shoulder rests do not move.</p>
	<p>Thread the one of the adjustable rope (11) firstly from a pulley. Then thread it from the first bridge, the cleat, second bridge and down the hole as shown in the figure. Repeat with the second rope. To adjust a rope, lift it from cleat to the desired length, and push it back into the cleat to secure.</p>

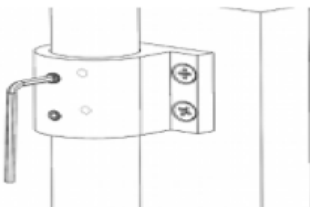
Insert the straps(12) or handles(23) into the metal ring at the end of the adjustable ropes.



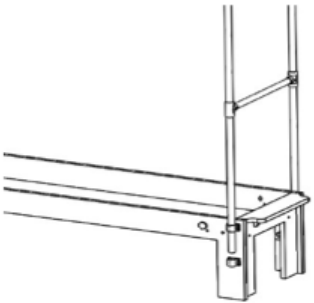
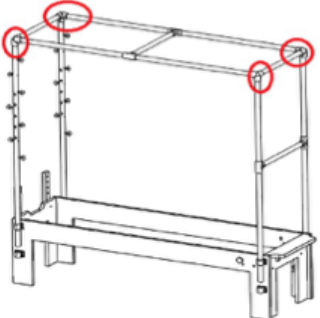
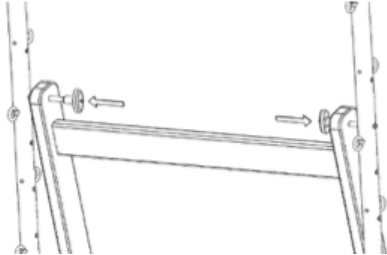
Thread the non- perforated pipes(14) through the flanges on the both sides of the wooden case (on foot bar side)

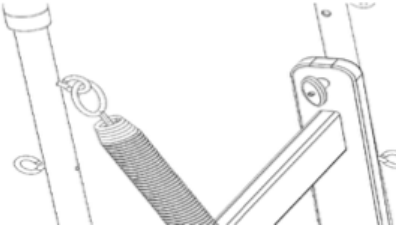
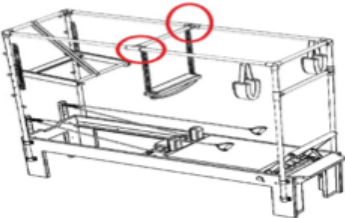
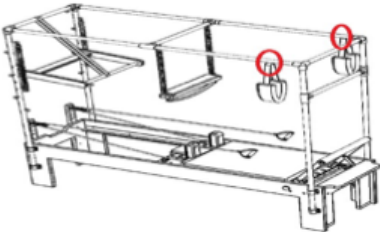


Thread the perforated pipes(15) through the flanges on the both sides of the wooden case (on pulleys side)



Tighten the flange screws on both sides of the wooden case with the help of the allen as shown in figure. Make sure the pipes does not move.

	<p>Thread the slots that are at the two sides of 2nd sliding mechanism(16) from top of the non perforated pipes. Tighten the screws by hand at the preferred position. Make sure that the 2nd sliding mechanism does not move.</p>
	<p>Place the slots in the four corners of the upper tower(13) with the non perforated and perforated pipes as shown. Upper tower has the first Sliding Mechanism in the middle. Tighten the screws in the four corners with the help of the allen(7) that comes out of the box. Make sure that the upper tower does not move.</p>
	<p>Fix the push through bar(14) into the 3rd holes on the 2 sides of the CADILLAC by the push through bar pins(15). Tighten the pins by hand. Make sure the push through bar is fixed.</p>

	<p>There are 4 yellow, 4 blue and 2 green springs. Thread the springs(16) to the rings on the front - back and bottom - top of both sides of the CADILLAC according to the exercise you will do.</p>
	<p>Insert the spring hooks that on both sides of the trapeze(17) through the holes on the first sliding mechanism.</p>
	<p>Thread the fuzzy(18) through its band and tie it to both sides of the upper tower as shown.</p>

3.4. Installation Instructions of Accessories

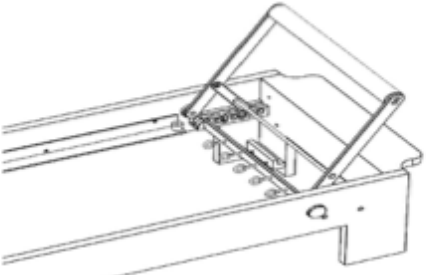
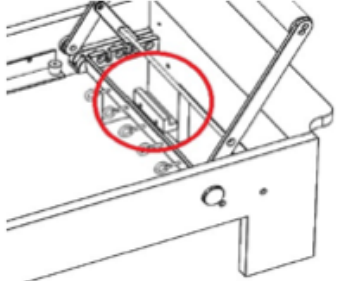
3.4.1. Installation Instruction of the Wooden Bar

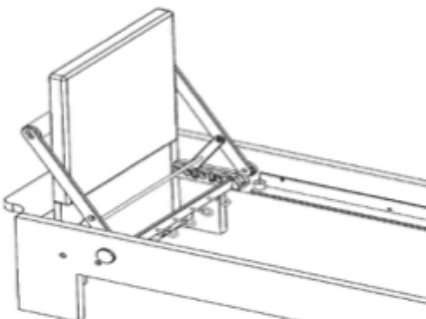
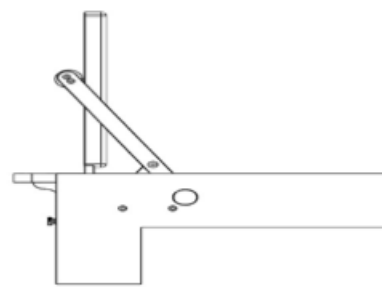
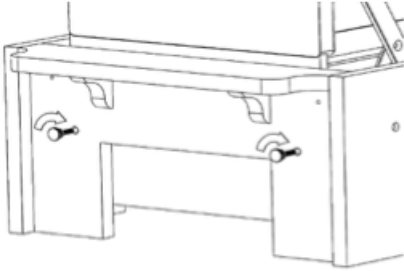
Put the wooden bar (22) to the springs that at the back and middle of the perforated pipes (tower).

3.4.2. Installation Instruction of the Handles

According to your exercise put the handles (23) in to the springs or adjustable ropes

3.4.3. Installation Instruction of the Jump Board

	<p>Secure the footbar to the 2nd stage as shown.</p>
	<p>Place the jump board (24) through the footbar and place it in the jump board slots. The soft face of the jump board should face the inside of the case.</p>

	<p>Fix the jump board as shown in figure</p>
	<p>Make sure there are no gaps between the footbar and the jump board.</p>
	<p>Tighten the jump board screws (25) as shown. Make sure that the springboard does not move.</p>

4. MAINTENANCE INSTRUCTIONS

ATRO CADILLAC REFORMER which is produced with long-lasting and enduring materials will provide more long-lasting and efficient working process with the help of maintenances that you may able to perform in a short time.

It will be more important for you to do so if you use **ATRO CADILLAC REFORMER** in a studio or gym center.

Do not put grease on any part of **ATRO CADILLAC REFORMER**.

MAINTENANCE INSTRUCTION	DAILY	WEEKLY	MONTHLY	ANNUAL	AS NEEDED
GENERAL OVERVIEW					X
SPRINGS			X		
CARRIER SYSTEM				X	
SURFACE	X				
COVERINGS	X				
ROPE				X	
STRAPS					X

All parts of the ATRO CADILLAC REFORMER: Check the whole system of the **ATRO CADILLAC REFORMER** is well-set daily and the screws are firm in each two months.

Springs: We advise you to check the all springs before use. There is always a possibility of having error and lapse even if they are tested many times before they are delivered to your end. Springs are made of galvanize, they do not become old very fast and have rust. The color on the instrument provides you to have the same performance. Clean anything compressed in between.

Cleaning:

- You shall use cotton made cloth for metal parts.
- It will cause to have long-lasting period of use if you clean the coverings after each use. You shall use soap-based cleansing products. Do not use alcohol-based cleansing products.
- Clean the carrier system with the soft and dewy cloth and wipe it with dry cloth.
- You shall change the straps in case of they become non-usable or present a danger.

IMPORTANT WARNINGS:

ATRO CADILLAC REFORMER is aimed to use in domestic places. Do not use the deice in outside and/or domestic places with moist and insufficient ventilation.

If you do not have the knowledge and experience, ask for help from an expert or a trainer.

Errors caused by the user are considered outside the scope of the warranty.